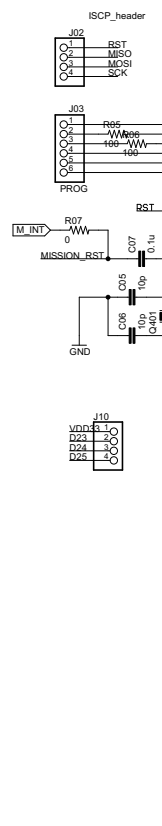
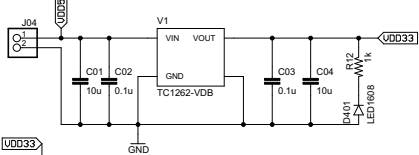


Program port



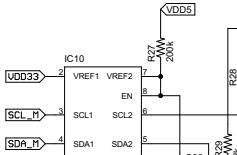
1A Voltage Regulator



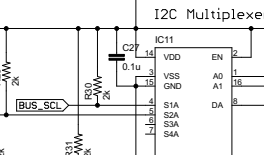
XBee (Debug port)



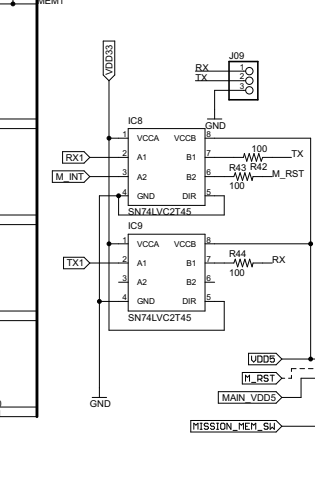
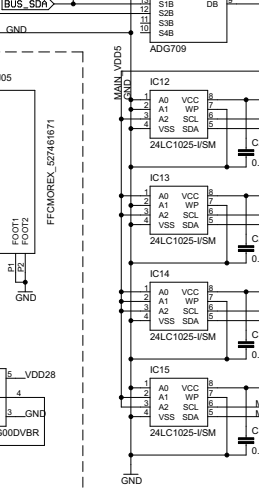
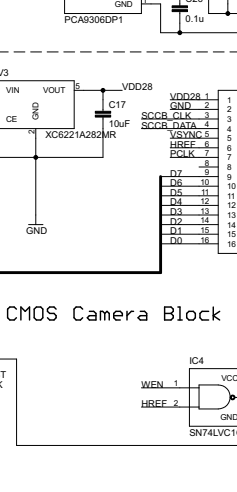
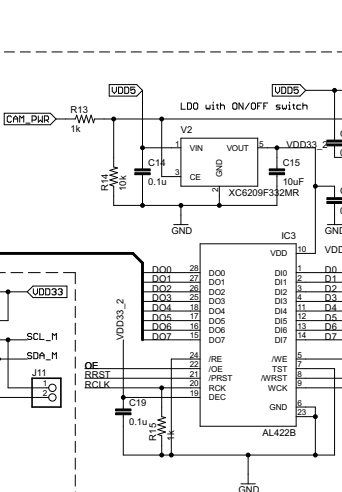
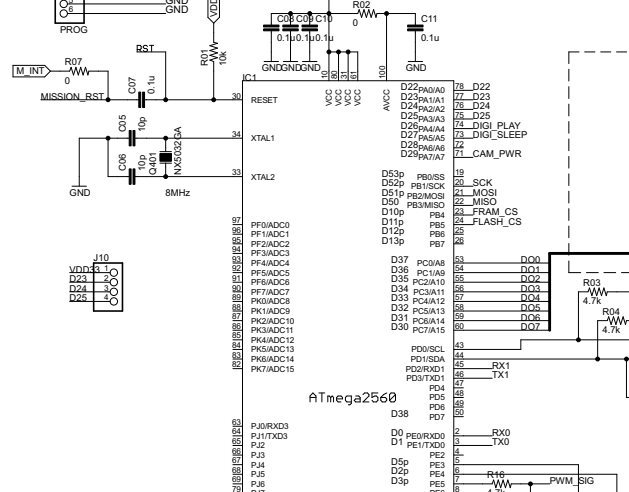
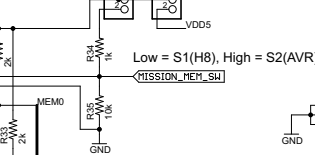
BUS Shared Memory



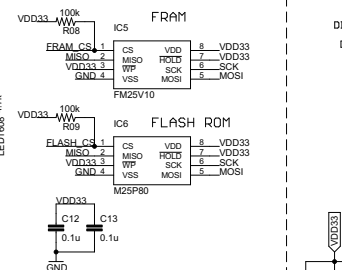
I2C Multiplexer



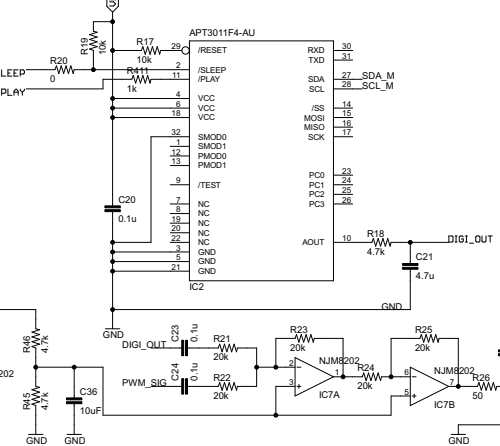
HUB\_Connector



DATA Storage



DigiTalker



Bus\_Temperature\_Sensor

